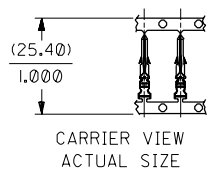
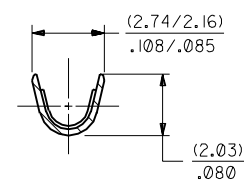
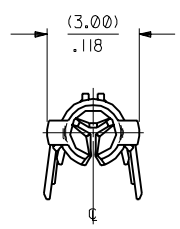


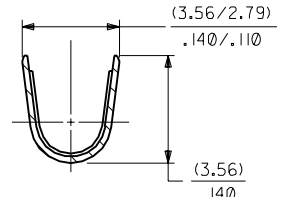
PART NO.	ENG. NO.	
02-06-2201	1786-(90)I	
02-06-2202	1786-(90)IL	
02-06-6205	1786-(59)I	<b>OBSOLETE</b>
02-06-6206	1786-(59)IL	<b>OBSOLETE</b>
02-06-6201	1786-(550)	
02-06-6202	1786-(550)L	



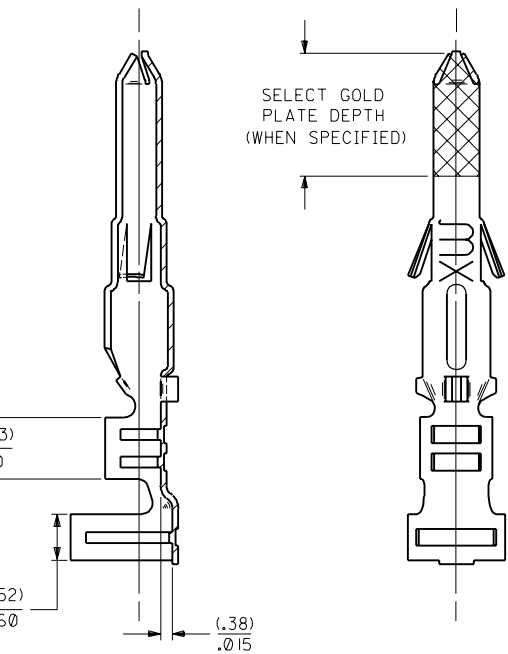
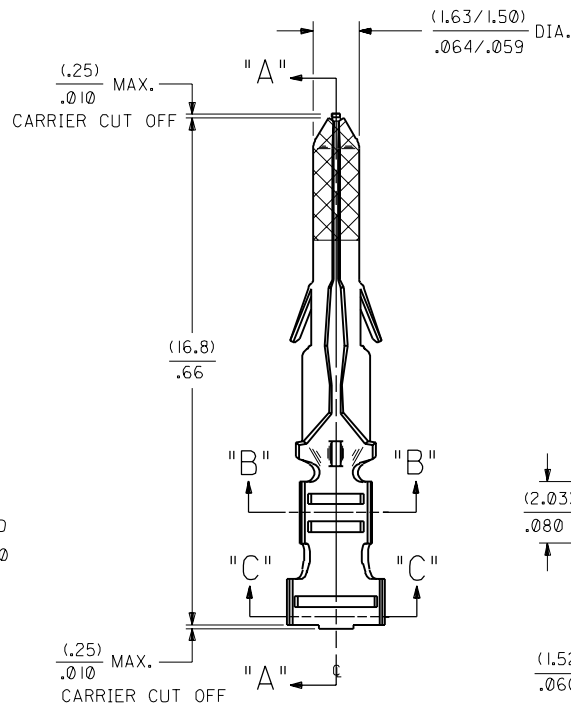
CARRIER VIEW  
ACTUAL SIZE



SECT. "B-B"  
SCALE: 10X

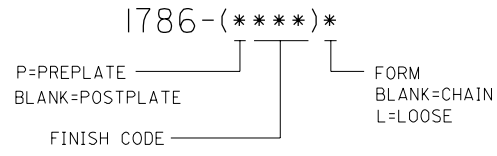


SECT. "C-C"  
SCALE: 10X



SECT. "A-A"

LEGEND



- NOTES:
1. TERMINAL FOR USE WITH (1.57)/.062 DIA. SERIES HOUSINGS AND WILL ACCEPT 18 THRU 24 AWG WIRE WITH (1.52/3.05)/.060/.120 INSULATION DIA.
  2. THIS PART CONFORMS TO PRODUCT SPEC. 02-06.

- FINISH CODES:
- 901 HOT TIN DIP (.000051)/.000020 MIN.
  - 591 SELECT GOLD PLATE (.00127)/.000050 MIN. IN CONTACT AREA, OVER (.00127)/.000050 MIN. NICKEL OVERALL WITH (.00025)/.000010 MAX. GOLD FLASH OVERALL.
  - 550 SELECT GOLD PLATE (.00038)/.000015 MIN. IN CONTACT AREA, OVER (.00076)/.000030 MIN. NICKEL OVERALL WITH (.00025)/.000010 MAX. GOLD FLASH OVERALL.

MATERIAL NOTE:  
PHOSPHOR BRONZE, ALLOY #C51000,  
(.20)/.008 THICK, SPRING TEMPER

AN	OBSOLETE P/N UCR2002-0270 COMERC 01/9/26
AM1	OBSOLETE -15501 & -15581L ECR U6 035B CXC 9/15/95 RW
AM	REV. & REDRAWN PER ECR 10312 GEP 9-17-86 RW

DIMENSIONS SHOWN (METRIC) INCH UNLESS OTHERWISE SPECIFIED TOLERANCES ANGULAR ± 1/2°		REVISIONS																					
<table border="1"> <thead> <tr> <th>PLACE</th> <th>INCH</th> <th>METRIC</th> </tr> </thead> <tbody> <tr> <td>3 PLACE</td> <td>± .010</td> <td>---</td> </tr> <tr> <td>2 PLACE</td> <td>± .014</td> <td>± 0.25</td> </tr> <tr> <td>1 PLACE</td> <td>---</td> <td>± 0.35</td> </tr> </tbody> </table>		PLACE	INCH	METRIC	3 PLACE	± .010	---	2 PLACE	± .014	± 0.25	1 PLACE	---	± 0.35	<table border="1"> <tr> <td>MFG. SH.</td> <td>REV.</td> <td>LTR.</td> <td>REV.</td> </tr> <tr> <td> </td> <td> </td> <td> </td> <td> </td> </tr> </table>		MFG. SH.	REV.	LTR.	REV.				
PLACE	INCH	METRIC																					
3 PLACE	± .010	---																					
2 PLACE	± .014	± 0.25																					
1 PLACE	---	± 0.35																					
MFG. SH.	REV.	LTR.	REV.																				
<table border="1"> <tr> <td>DRWG. BY: GEP</td> <td>CHK'D. BY: RW</td> <td>FILE NAME: SD1786X1</td> <td>DIV.: CP</td> </tr> <tr> <td>APP'D. BY: RAS</td> <td>SCALE: 8 : 1</td> <td>THIS DRAWING CONTAINS INFORMATION THAT IS PROPRIETARY TO MOLEX INC. AND SHOULD NOT BE USED WITHOUT WRITTEN PERMISSION.</td> <td>SIZE: CP C</td> </tr> </table>		DRWG. BY: GEP	CHK'D. BY: RW	FILE NAME: SD1786X1	DIV.: CP	APP'D. BY: RAS	SCALE: 8 : 1	THIS DRAWING CONTAINS INFORMATION THAT IS PROPRIETARY TO MOLEX INC. AND SHOULD NOT BE USED WITHOUT WRITTEN PERMISSION.	SIZE: CP C	<table border="1"> <tr> <td colspan="2">TITLE: CRIMP TERMINAL, MALE (1.57)/.062 DIA., PHOS. BRONZE FOR 18 THRU 24 GA. WIRE</td> </tr> <tr> <td>PART NO.: SD-1786-*</td> <td>DRAWG. NO.: SD-1786-*</td> </tr> <tr> <td>DATE: 9/17/87</td> <td>SHEET NO. 1 OF 1</td> </tr> </table>		TITLE: CRIMP TERMINAL, MALE (1.57)/.062 DIA., PHOS. BRONZE FOR 18 THRU 24 GA. WIRE		PART NO.: SD-1786-*	DRAWG. NO.: SD-1786-*	DATE: 9/17/87	SHEET NO. 1 OF 1						
DRWG. BY: GEP	CHK'D. BY: RW	FILE NAME: SD1786X1	DIV.: CP																				
APP'D. BY: RAS	SCALE: 8 : 1	THIS DRAWING CONTAINS INFORMATION THAT IS PROPRIETARY TO MOLEX INC. AND SHOULD NOT BE USED WITHOUT WRITTEN PERMISSION.	SIZE: CP C																				
TITLE: CRIMP TERMINAL, MALE (1.57)/.062 DIA., PHOS. BRONZE FOR 18 THRU 24 GA. WIRE																							
PART NO.: SD-1786-*	DRAWG. NO.: SD-1786-*																						
DATE: 9/17/87	SHEET NO. 1 OF 1																						